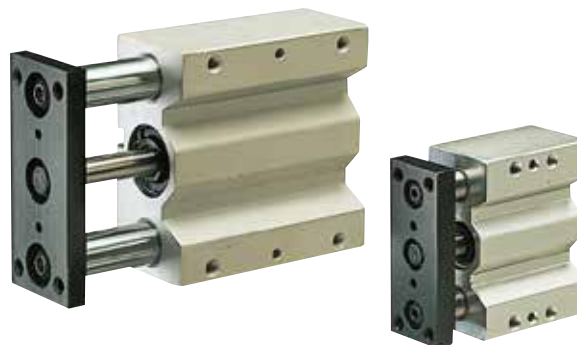


P5T cylinders are a modern and versatile range of cylinders with integral guides. The cylinders are double-acting, with end stop cushioning for quiet and vibration free operation. The strong guide shafts make it possible to adsorb considerable thrust forces and torque.



- Complete cylinder function with integral guidance
- Stainless steel guide rods
- Wide range of standard strokes, diameter 16-100 mm
- Flexible porting as standard
- Magnetic piston as standard with drop-in sensor technology
- End stop cushions as standard

Operating information

Working pressure Max 10 bar
Working temperature -20 °C to +80 °C

Prelubricated, further lubrication is not normally necessary. If additional lubrication is introduced it must be continued.

For more information see www.parker.com/euro_pneumatic

Double acting - Plain bearing and top air connections

Ø16mm - (M5)

Stroke.mm	Order code
10	P5T-C016DGSN010
25	P5T-C016DGSN025
40	P5T-C016DGSN040
50	P5T-C016DGSN050
75	P5T-C016DGSN075
100	P5T-C016DGSN100

Ø20mm - (G1/8)

Stroke.mm	Order code
25	P5T-C020DGSN025
40	P5T-C020DGSN040
50	P5T-C020DGSN050
75	P5T-C020DGSN075
100	P5T-C020DGSN100
125	P5T-C020DGSN125

Ø25mm - (G1/8)

Stroke.mm	Order code
25	P5T-C025DGSN025
50	P5T-C025DGSN050
75	P5T-C025DGSN075
100	P5T-C025DGSN100
125	P5T-C025DGSN125
150	P5T-C025DGSN150

Ø32mm - (G1/8)

Stroke.mm	Order code
25	P5T-C032DGSN025
50	P5T-C032DGSN050
75	P5T-C032DGSN075
100	P5T-C032DGSN100
125	P5T-C032DGSN125
150	P5T-C032DGSN150
175	P5T-C032DGSN175
200	P5T-C032DGSN200

Ø40mm - (G1/8)

Stroke.mm	Order code
25	P5T-C040DGSN025
50	P5T-C040DGSN050
75	P5T-C040DGSN075
100	P5T-C040DGSN100
125	P5T-C040DGSN125
150	P5T-C040DGSN150
175	P5T-C040DGSN175
200	P5T-C040DGSN200

Ø50mm - (G1/4)

Stroke.mm	Order code
25	P5T-C050DGSN025
50	P5T-C050DGSN050
75	P5T-C050DGSN075
100	P5T-C050DGSN100
125	P5T-C050DGSN125
150	P5T-C050DGSN150
175	P5T-C050DGSN175
200	P5T-C050DGSN200

Ø63mm - (G1/4)

Stroke.mm	Order code
25	P5T-C063DGSN025
50	P5T-C063DGSN050
75	P5T-C063DGSN075
100	P5T-C063DGSN100
125	P5T-C063DGSN125
150	P5T-C063DGSN150
175	P5T-C063DGSN175
200	P5T-C063DGSN200

Ø80mm - (G3/8)

Stroke.mm	Order code
25	P5T-C080DGSN025
50	P5T-C080DGSN050
75	P5T-C080DGSN075
100	P5T-C080DGSN100
125	P5T-C080DGSN125
150	P5T-C080DGSN150
175	P5T-C080DGSN175
200	P5T-C080DGSN200

Ø100mm - (G3/8)

Stroke.mm	Order code
25	P5T-C100DGSN025
50	P5T-C100DGSN050
75	P5T-C100DGSN075
100	P5T-C100DGSN100
125	P5T-C100DGSN125
150	P5T-C100DGSN150
175	P5T-C100DGSN175
200	P5T-C100DGSN200

Design Variants

In addition to the standard designs, a number of variants of the P5T range are available to special order, to provide effective solutions in a large number of applications.

- Cylinders with special strokes
- Cylinders with two fixing plates
- Cylinders with adjustable stops, with cushioning
- High-temperature cylinders for the temperature range of -10°C to +150°C (not magnetic piston).

Special design for food industry applications

There is a special version of the P5T for food industry applications and other installation cases where high corrosion resistance and hygiene are required. This version has steel parts and other components in either stainless steel or special treated aluminium. Please contact Customer Service for more information.

Plain bearing or recirculating ball bearings

The P5T is supplied with plain bearings as standard. This type of bearing has guide rods of greater diameter, providing excellent support for heavy loads, especially static loads. Plain bearings are highly tolerant of vibration and dirt, and are suitable for regular cleaning.

Recirculating ball bearings are used for applications which require high precision and low friction.

The choice should be based on the following factors:

Application requirements	Plain bearing	Recirculating ball bearings
Precision	Good	Excellent
Friction	Higher	Low
Coefficient of friction	Variable	Constant
Precision during service life	Variable	Constant
Static load capacity	Excellent	Good
Dynamic load capacity	Good, but with friction losses	Good
Vibration tolerance	Excellent	Average
Dirt tolerance	Excellent	Poor
Washing tolerance	Excellent	Poor

Double acting, connections on top.



Double acting with two fixing plates, side connections are recommended.



Double acting, connections at rear.



Double acting with two fixing plates and adjustable end stops with cushioning, side connections are recommended.



Double acting, connections on side.



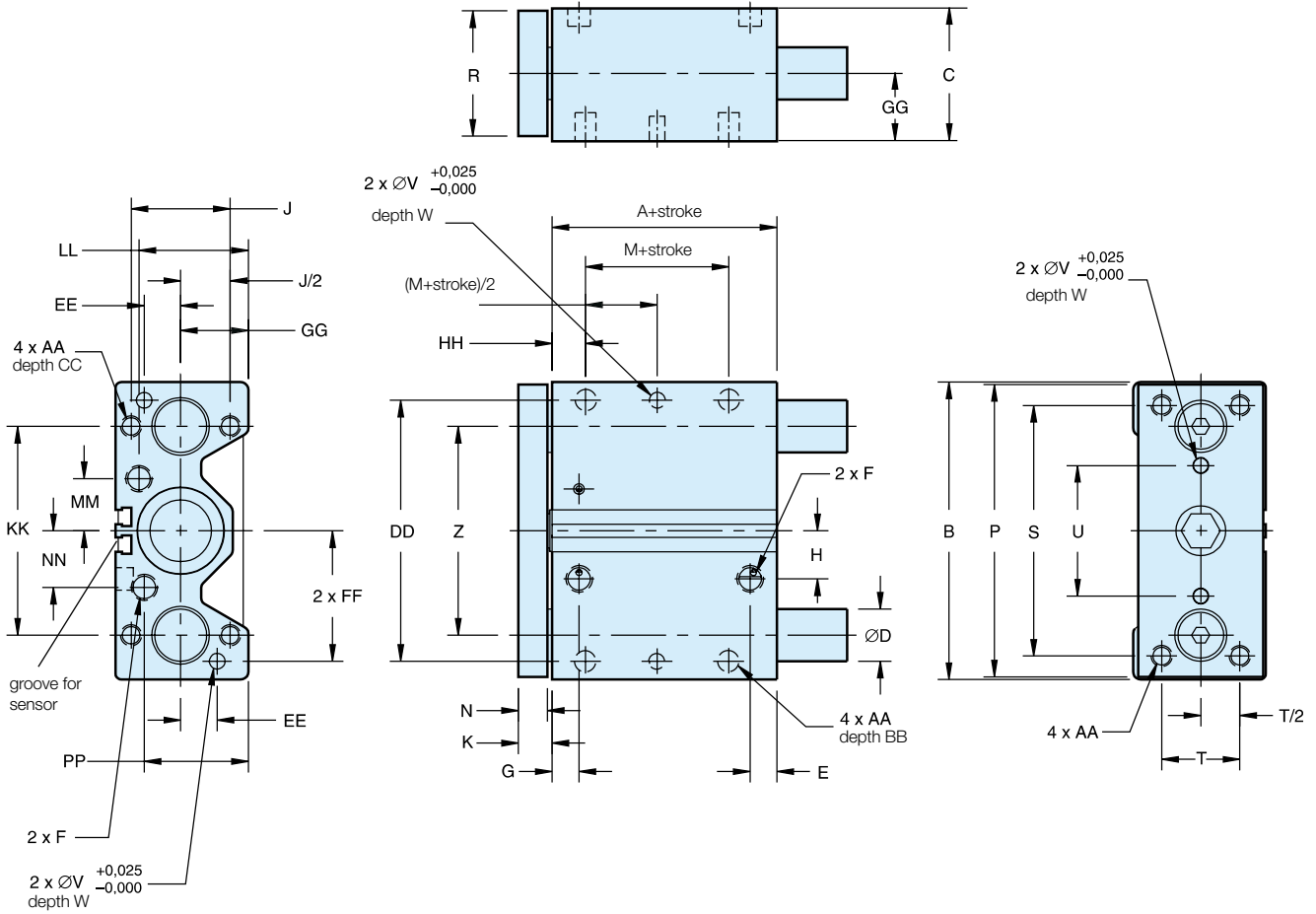
Double acting with one fixing plate adjustable end stops with cushioning, connections on side, on top or at rear.



Dimensions, P5T basic cylinder

Connection option D

(connection from the top)



Cylinder diam. mm	A mm	B mm	C mm	D1*) mm	D2*) mm	E mm	F	G mm	H mm	J mm	K mm	M mm	N mm	P mm	R mm	S mm	T mm	U mm	V mm
16	37,8	64	31	8	10	10,1	M5	10,1	7	22	9,9	7	7,9	62	25,4	52	16	20	3
20	35	74	36	10	12	19	G1/8	10	15,8	26	9,9	10	7,9	72	31,8	60	18	30	4
25	38	88	42	12	16	21	G1/8	11,4	15,5	32	9,9	10	7,9	86	38	70	26	34	4
32	36	114	51	16	20	10,3	G1/8	10,4	18,4	38	13,1	5	11,1	112	44,5	96	30	50	6
40	44	124	51	16	20	12,1	G1/8	14,9	22,5	38	13,1	10	11,1	122	44	106	30	60	6
50	44,9	140	62	20	25	14,5	G1/4	16,1	27	44	14,7	10	12,7	138	57	120	40	60	8
63	50,1	150	75	20	25	16,4	G1/4	14,5	33	44	14,7	10	12,7	148	70	130	50	72	8
80	59,5	188	95	25	30	17,5	G3/8	19	37	56	18	15	16	185	88,9	160	60	92	10
100	66**)	224	115	30	35	21,9**)	G3/8	23	40	62	18	15	16	221	108	190	80	114	10

Cylinder diam. mm	W mm	Z mm	AA	BB mm	CC mm	DD mm	EE mm	FF mm	GG mm	HH mm	KK mm	LL mm	MM mm	NN mm	PP mm	Piston rod Ø mm
16	6	42	M5x0,8	7,5	10	54	8	27	15	13,1	42	22,5	11,3	9,7	23	8
20	6	52	M5x0,8	7,5	10	64	10	32	17	13,1	52	26	15,4	15,4	26	10
25	6	62	M6x1,0	10	12	76	11	38	21	14,1	62	33,4	17	17	33,4	10
32	6	80	M8x1,25	11	16	100	14	50	26	12,9	80	42	20	21,7	38	16
40	6	90	M8x1,25	11	16	110	14	55	26	13,9	90	41	24	26,4	37,9	16
50	8	100	M10x1,5	12	20	124	16	62	30	14,3	100	51	29	33	44	20
63	8	110	M10x1,5	15	20	132	18	66	36,5	16,3	110	62	36	37,8	57,8	20
80	10	140	M12x1,75	18	24	166	22	83	46,5	21	140	78	45	48	75,5	25
100	10	170	M14x2,0	21	28	200	24	100	56,5	25	170	91,5	53	51	95,5	25

Length tolerance ± 1 mm

Stroke tolerance $+ 1,5/0$ mm

**) Stroke 25 mm, A=75 mm, E=28 mm

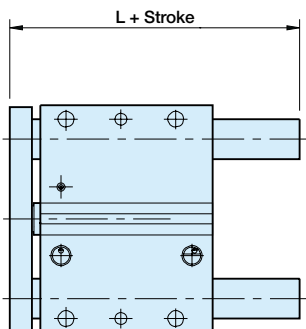
*) D1 = bearing rod diameter for recirculating ball bearing

*) D2 = bearing rod diameter for plain bearing

Dimensions, P5T basic cylinder

Standard lengths

Cylinder diam mm	Stroke mm	L mm
16	10	36,2
	25, 40, 50, 75	60,2
	100	75,2
20	25, 40, 50, 75	66,9
	100, 125	91,9
25	25, 50, 75, 100	69,9
	125, 150	91,9
32	25, 50, 75, 100	77,9
	125, 150, 175, 200	116,0
40	25, 50, 75, 100	77,9
	125, 150, 175, 200	116,0
50	25, 50, 75, 100	84,0
	125, 150, 175, 200	124,1
63	25, 50, 75, 100	84,0
	125, 150, 175, 200	124,1
80	25, 50, 75, 100	101,8
	125, 150, 175, 200	140,0
100	25	122,8
	50, 75, 100	120,3
	125, 150, 175, 200	158,4

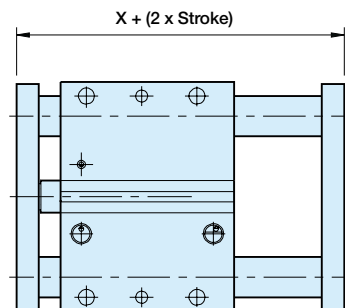


Please note that load capacity increases with two fixing plates, due to greater bearing distance.

Cylinder diam. mm	Guide rod dia. mm	X for option			QQ mm	RR mm	XX mm
		D mm	A mm	E mm			
16	8	57,6	70,6	62,7	18,0	13,0	0
	10	57,6	70,6	62,7	24,0	13,0	1
20	10	54,9	67,9	59,9	24,0	13,0	1
	12	54,9	72,6	64,6	28,0	17,7	3
25	12	57,8	75,5	67,6	28,0	17,7	1
	16	57,8	77,5	69,6	34,0	19,7	4
32	16	62,2	81,9	70,8	34,0	19,7	0
	20	62,2	83,9	72,8	41,4	21,7	3,7
40	16	70,2	89,9	78,8	34,0	19,7	0
	20	70,2	91,9	80,8	41,4	21,7	3,7
50	20	74,3	96,0	83,3	41,4	21,7	0,7
	25	74,3	96,0	83,3	50,8	21,7	5,4
63	20	79,5	101,2	88,5	41,4	21,7	0,7
	25	79,5	101,2	88,5	50,8	21,7	5,4
80	25	95,5	117,2	101,2	50,8	21,7	1,4
	30	95,5	117,2	101,2	60,5	21,7	6,3
100	30	102,0	123,7	107,7	60,5	21,7	3,3
	35	102,0	123,7	107,7	65,0	21,7	5,5

Dimensions, P5T basic cylinder

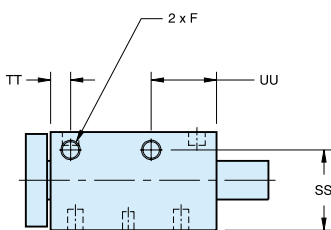
Option D



Dimensions, P5T basic cylinder

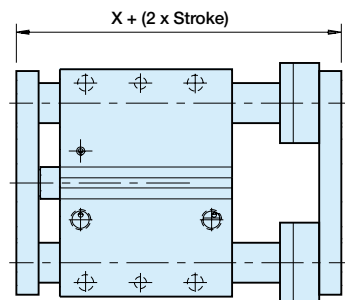
Connection option S (side connections)

Cylinder diam. mm	SS mm	TT mm	UU mm	F
16	24,1	10	20	M5
20	29,2	10	20	M5
25	35,2	11,4	25	M5
32	41,7	10,4	34	G1/8
40	41,7	14,9	34	G1/8
50	51,3	16,1	38	G1/4
63	60,7	15,6	41,8	G1/4
80	75,5	19	47	G3/8
100	83,7	23	53,3	G3/8



Dimensions, P5T with two fixing plates and adjustable end stop with cushioning

Option A



Dimensions, P5T with adjustable end stop with cushioning

Option E

