

A range of speed controls, flow controls and back pressure sensors designed to be mounted directly onto the cylinder in the optimum position for maximum performance.

- "Push-in" or threaded connection
- Multifunction options
- Fit directly to cylinder ports
- Swivelling pilot banjo
- Pneumatic, Electric or Electronic back pressure sensor

 **For ATEX specific products contact Sales Office**



### Operating information

#### Working pressure;

PWR-L, PWR-H, PWR-A, PWR-B	1-10 bar
PWB-A, PWS-M, PWS-E, PWS-P	0-10 bar
PWA-L	0,2-10 bar

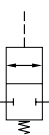
Working temperature	: -15°C to +60°C
PWR-L	-15°C to +70°C

#### Pilot pressure at 6 bar supply;

PWB-A and PWR-HB	(1/8", 1/4" versions)	: 4 bar
	(1/2" and 3/8" versions)	: 2,9 bar
PWS-P111		: 4,4 bar
PWS-M1012		: 1,5 bar
PWS-E101 and E111		: 0,7 bar

For more information see [www.parker.com/euro\\_pneumatic](http://www.parker.com/euro_pneumatic)

## 2/2 Blockers

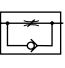
Symbol	Connection for pilot port	Thread for cylinder connection	Connection for tube Ø, mm	Tightening torque Nm	Qmax input at 6 bar, l/min*	Order code
	Push-in *, Ø4 mm	<b>G1/8</b>	G1/4	8	500	<b>PWB-A1898</b>
		<b>G1/4</b>	G1/4	12	650	<b>PWB-A1899</b>
		<b>G3/8</b>	G3/8	30	1750	<b>PWB-A1833</b>
		<b>G1/2</b>	G1/2	35	2050	<b>PWB-A1822</b>

With threaded connection




\* M5 without banjo

## Flow control valves with by-pass

Symbol	Thread	Number of turns	Qmax input at 6 bar, l/min	Order code
	<b>G1/8</b>	13	240	<b>VQB12-Q-O-5</b>
	<b>G1/4</b>	13	1320	<b>VQB22-Q-O-5</b>
	<b>G1/2</b>	13	3600	<b>VQB42-Q-O-5</b>




**Flow control valves with by-directional control**

Symbol	Thread	Number of turns	Qmax input at 6 bar, l/min	Order code
	G1/8	13	72	<b>VQB12-OX-5 *</b>
	G1/8	13	240	<b>VQB12-O-5</b>
	G1/4	13	1320	<b>VQB22-O-5</b>
	G1/2	13	3600	<b>VQB42-O-5 **</b>

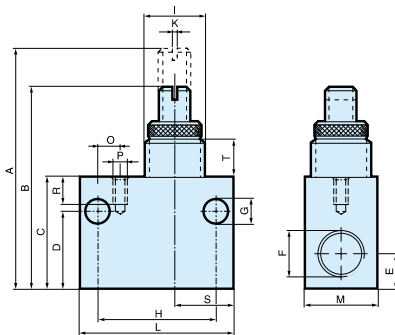
\* Extra fine adjustment  
 \*\* Low operating temp -40°C

**Knob and nut for panel mounting**

To suit	Order code
 <b>VQB12</b>	<b>9128177212</b>
<b>VQB22</b>	<b>9128177222</b>
<b>VQB42</b>	<b>9128177242</b>

**Dimensions (mm)**

**Flow Control Valves**



Order code	A	B	C	D	E	F	G	H	I
<b>VQB12-(Q)-OX-5</b>	49	42	22	15	6,5	G1/8	5,8	24	M12x1
<b>VQB12-(Q)-O-5</b>	49	42	22	15	6,5	G1/8	5,8	24	M12x1
<b>VQB22-(Q)-O-5</b>	64	53	30	21	8,5	G1/4	7,0	32	M16x1
<b>VQB42-(Q)-O-5</b>	99	85	50	36	16,5	G1/2	7,0	50	M24x1,5

Order code	K	L	M	O	P	R	S	T
<b>VQB12-(Q)-OX-5</b>	1,2	32	15	-	-	-	13,5	8,8
<b>VQB12-(Q)-O-5</b>	1,2	32	15	-	-	-	13,5	8,8
<b>VQB22-(Q)-O-5</b>	1,2	42	20	6,0	M4	7	16,0	10,0
<b>VQB42-(Q)-O-5</b>	1,8	62	30	19,5	M4	7	20,5	15,2