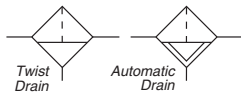


F602 Particulate Filters – Hi-Flow

- Excellent water removal efficiency
- For heavy duty applications with minimum pressure drop requirement
- Unique deflector plate that creates swirling of the air stream ensuring maximum water and dirt separation
- Large filter element surface guarantees low pressure drop and increased element life
- 40 micron filter element standard, 5 micron available
- Metal bowl with sight gauge standard
- Twist drain as standard, optional auto drain
- 3/4" & 1" port, NPT & BSPP



Port size	Description	Part number
3/4"	16 oz. metal bowl / manual drain	F602-06WJ
3/4"	16 oz. metal bowl / auto drain	F602-06WJR
3/4"	32 oz. metal bowl / manual drain	F602-06EJ
3/4"	32 oz. metal bowl / auto drain	F602-06EJR
1"	16 oz. metal bowl / manual drain	F602-08WJ
1"	16 oz. metal bowl / auto drain	F602-08WJR
1"	32 oz. metal bowl / manual drain	F602-08EJ
1"	32 oz. metal bowl / auto drain	F602-08EJR

Operating information

Supply pressure (max):

Aluminum (E)	0 to 300 psig (0 to 20.7 bar)
Zinc with gauge (W)	0 to 250 psig (0 to 17.2 bar)
With internal auto drain [R]	20 to 175 psig (1.14 to 11.9 bar)
With external auto drain [Q]	0 to 250 psig (0 to 17.2 bar)

Operating temperature:

Aluminum (E)	40°F to 150°F (4.4°C to 65.6°C)
Zinc with gauge (W)	40°F to 150°F (4.4°C to 65.6°C)
With internal auto drain [R]	40°F to 125°F (4.4°C to 52°C)
With external auto drain [Q]	40°F to 150°F (4.4°C to 65.6°C)

Flow capacity†:

High flow	3/4"	270 scfm (127.4 dm³/s, ANR)
	1"	300 scfm (141.5 dm³/s, ANR)

Bowl capacity:

Zinc with gauge (W)	16 oz.
Aluminum (E)	32 oz.

Weight:

16 oz.	6.3 lb (2.86)
32 oz.	7.0 lb (3.18 kg)

† scfm = Standard cubic feet per minute at 90 psig inlet and 5 psig pressure drop.

() Bowl type, [] drain type.

Ordering information:

F602 - 06 W J [] /**

Port Threads	-	Engineering Level	/** Will be entered at factory
NPT	-		
G BSPP	G		
Port Size	06	Drains and Options	Blank Manual twist drain
3/4 inch	06	Q	External heavy duty auto drain
1 inch	08	R	Internal auto drain
		U	Semi-auto drain
Bowl	E	Element	G 5 Micron
32 oz. Large capacity metal without sight gauge	E	J	40 Micron
16 oz. Metal with sight gauge	W		

Most popular.



For inventory, lead times, and kit lookup, visit www.pdnplu.com

Hi-Flow Particulate Filters

Material Specifications

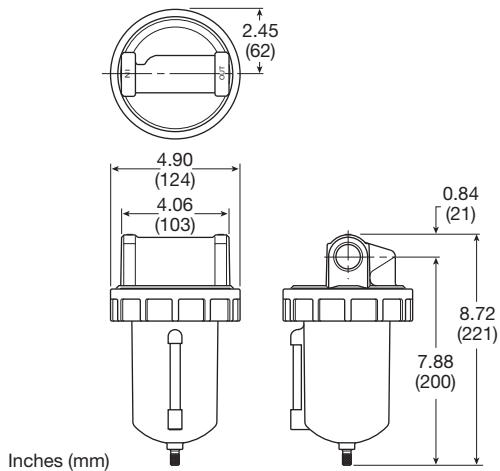
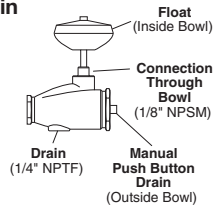
Body	Zinc
Bowl (E) 32 oz. without sight gauge	Aluminum
Bowl (W) 16 oz. with sight gauge	Zinc
Manual twist drain & overnight	Brass
Drain housing "R"	Acetal
Drain housing "Q"	Bronze
Element	Polypropylene
Seals	Nitrile
Sight gauge	Nylon

Repair and Service Kits

Aluminum bowl (E) 32 oz.	BK603B
Zinc bowl with sight gauge (W) 16 oz.	BK605WB
External auto drain (E) 32 oz.	SA603D
External auto drain (W) 16 oz.	SA602D
Internal auto drain (All)	SA602MD
Manual drain (All)	SA600Y7-1
Semi-auto "overnight" drain <i>(drains automatically under zero pressure)</i>	SA602A7
40 micron element (All)	EK602B
5 micron element (All)	EK602VB
Mounting bracket, 3/4" Unit <i>(pair or 2 kits pipe mounted brackets needed)</i>	SA200AW57
Mounting bracket, 1" Unit <i>(pair or 2 kits pipe mounted brackets needed)</i>	SA200CW57
Deflector, baffle assembly, & retaining rod (E,W)	RK602B
External auto drain (All)	RK602D
Internal auto drain (All)	RK602MD
Metal bowl with sight gauge (W) 16 oz.	RKB605WB

"Q" Option External Heavy Duty Auto Drain SA602D / SA603D

For heavy duty applications where the filter is being used to remove large volumes of liquid and/or particulate matter from the airstream, the external automatic drain ("Q" option) should be used.

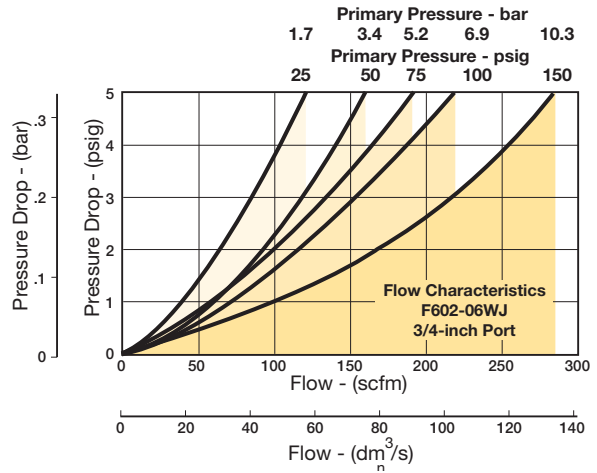


F602-06W, F602-08W (Hi-Flow)

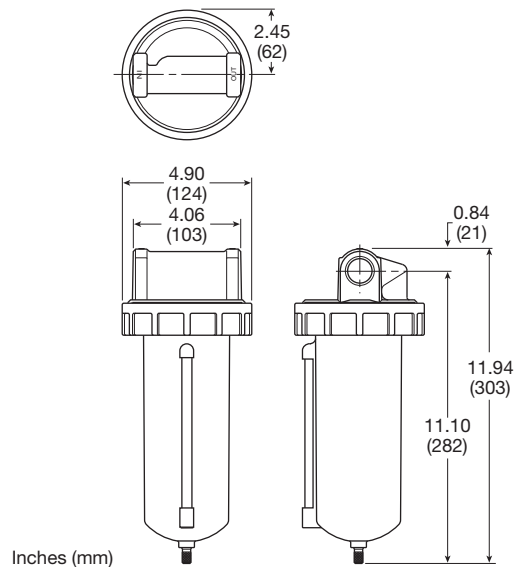
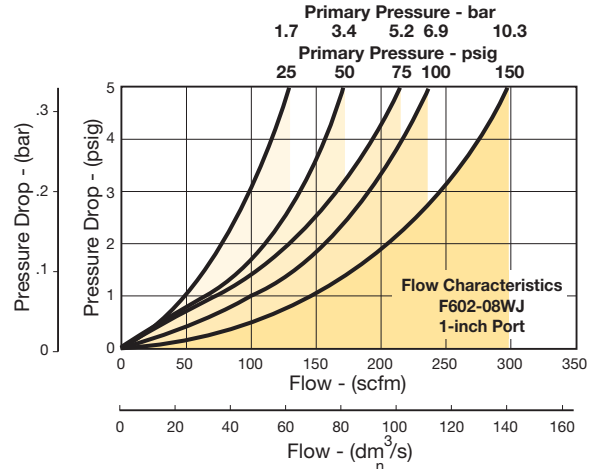
Air Preparation Products General Industrial

Flow Charts

F602 3/4" Particulate Filter



F602 1" Particulate Filter



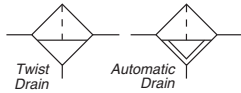
F602-06E, F602-08E (Hi-Flow)



For inventory, lead time, and kit lookup, visit www.pdnplu.com

F602 Particulate Filters – Hi-Flow

- Excellent water removal efficiency
- For heavy duty applications with minimum pressure drop requirement
- Unique deflector plate that creates swirling of the air stream ensuring maximum water and dirt separation
- Large filter element surface guarantees low pressure drop and increased element life
- 40 micron filter element standard, 5 micron available
- Metal bowl with sight gauge standard
- Twist drain as standard, optional auto drain
- Large bowl capacity
- Optional high capacity bowl(s) available
- 1-1/2" port, NPT & BSPP



Port size	Description	Part number
1-1/2"	16 oz. metal bowl / manual drain	F602-12WJ
1-1/2"	16 oz. metal bowl / auto drain	F602-12WJR
1-1/2"	32 oz. metal bowl / manual drain	F602-12EJ
1-1/2"	32 oz. metal bowl / auto drain	F602-12EJR

Operating information

Supply pressure (max):
 Aluminum (E) 0 to 300 psig (0 to 20.7 bar)
 Zinc with gauge (W) 0 to 250 psig (0 to 17.2 bar)
 With internal auto drain [R] 20 to 175 psig (1.14 to 11.9 bar)
 With external auto drain [Q] 0 to 250 psig (0 to 17.2 bar)

Operating temperature:
 Aluminum (E) 40°F to 150°F (4.4°C to 65.6°C)
 Zinc with gauge (W) 40°F to 150°F (4.4°C to 65.6°C)
 With internal auto drain [R] 40°F to 125°F (4.4°C to 52°C)
 With external auto drain [Q] 40°F to 150°F (4.4°C to 65.6°C)

Flow capacity†:
 High flow 1-1/2" 450 scfm (212.4 dm³/s, ANR)

Bowl capacity:
 Zinc with gauge (W) 16 oz.
 Aluminum (E) 32 oz.

Weight:
 16 oz. 7.0 lb (3.18 kg)
 32 oz. 7.7 lb (3.49 kg)

† scfm = Standard cubic feet per minute at 90 psig inlet and 5 psig pressure drop.
 () Bowl type, [] drain type.

Ordering information:

F602 - 12 W J [] /**

Port Threads	Engineering Level
NPT -	/** Will be entered at factory
G BSPP G	
Port Size	Drains and Options
1-1/2 inch 12	Blank Manual twist drain
	Q External heavy duty auto drain
	R Internal auto drain
	U Semi-auto drain
Bowl	Element
32 oz. Large capacity metal without sight gauge E	G 5 Micron
16 oz. Metal with sight gauge W	J 40 Micron

Most popular.



For inventory, lead times, and kit lookup, visit www.pdnplu.com

General Industrial Products

H

Filters

Coalescers

Regulators

Lubricators

Combinations

Hi-Flow Particulate Filters

Material Specifications

Body	Zinc
Bowl (E) 32 oz. without sight gauge	Aluminum
Bowl (W) 16 oz. with sight gauge	Zinc
Manual twist drain & overnight	Brass
Drain housing "R"	Acetal
Drain housing "Q"	Bronze
Element	Polypropylene
Seals	Nitrile
Sight gauge	Nylon

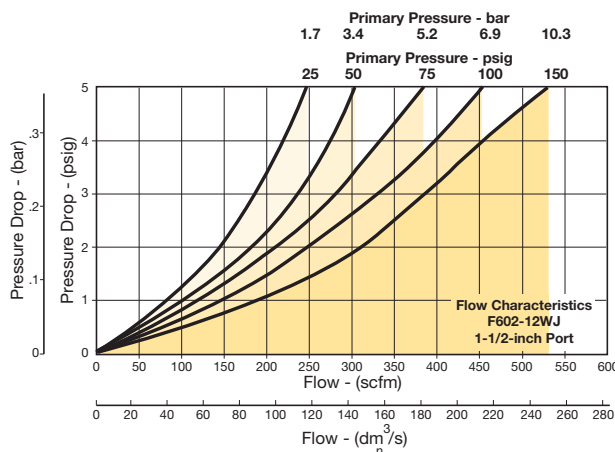
Repair and Service Kits

Aluminum bowl (E) 32 oz.	BK603B
Zinc bowl with sight gauge (W) 16 oz.	BK605WB
External auto drain (E) 32 oz.	SA603D
External auto drain (W) 16 oz.	SA602D
Internal auto drain (All)	SA602MD
Manual drain (All)	SA600Y7-1
Semi-automatic "overnight" drain <i>(drains automatically under zero pressure)</i>	SA602A7
40 micron element (All)	EK602B
5 micron element (All)	EK602VB
Deflector, baffle assembly, & retaining rod (All)	RK602C
External auto drain (All)	RK602D
Internal auto drain (All)	RK602MD
Metal bowl with sight gauge (W) 16 oz.	RKB605WB

Air Preparation Products General Industrial

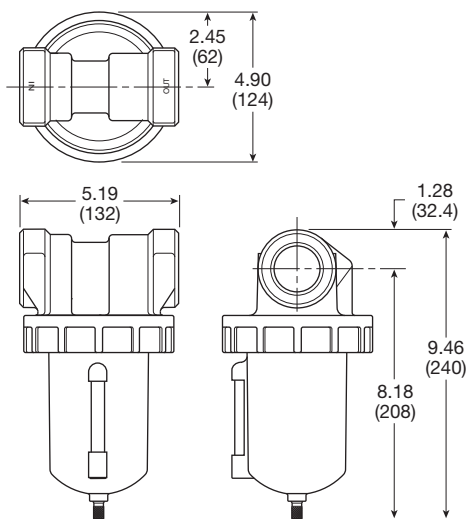
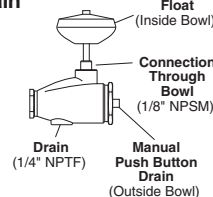
Flow Charts

F602 1-1/2" Particulate Filter

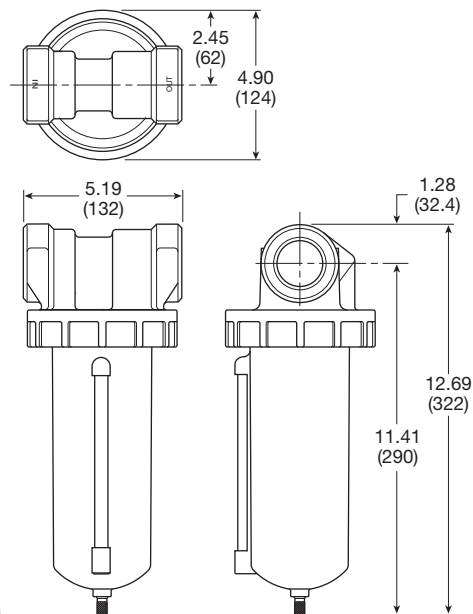


"Q" Option External Heavy Duty Auto Drain SA602D / SA603D

For heavy duty applications where the filter is being used to remove large volumes of liquid and/or particulate matter from the airstream, the external automatic drain ("Q" option) should be used.



F602-12W (Hi-Flow)



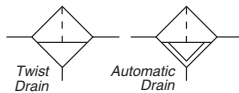
F602-12E (Hi-Flow)



For inventory, lead time, and kit lookup, visit www.pdnplu.com

F602 Particulate Filters – Hi-Flow

- Excellent water removal efficiency
- For heavy duty applications with minimum pressure drop requirement.
- Unique deflector plate that creates swirling of the air stream ensuring maximum water and dirt separation.
- Large filter element surface guarantees low pressure drop and increased element life.
- 40 micron filter element standard.
- Metal bowl with sight gauge standard.
- Twist drain as standard, optional auto drain.
- Large bowl capacity.
- Optional high capacity bowl(s) available
- 2" port, NPT & BSPP



Port size	Description	Part number
2"	16 oz. metal bowl / manual drain	F602-16WJ
2"	16 oz. metal bowl / auto drain	F602-16WJR
2"	32 oz. metal bowl / manual drain	F602-16EJ
2"	32 oz. metal bowl / auto drain	F602-16EJR

Operating information

Supply pressure (max):
 Aluminum (E) 0 to 300 psig (0 to 20.7 bar)
 Zinc with gauge (W) 0 to 250 psig (0 to 17.2 bar)
 With internal auto drain [R] 20 to 175 psig (1.14 to 11.9 bar)
 With external auto drain [Q] 0 to 250 psig (0 to 17.2 bar)

Operating temperature:
 Aluminum (E) 40°F to 150°F (4.4°C to 65.6°C)
 Zinc with gauge (W) 40°F to 150°F (4.4°C to 65.6°C)
 With internal auto drain [R] 40°F to 125°F (4.4°C to 52°C)
 With external auto drain [Q] 40°F to 150°F (4.4°C to 65.6°C)

Flow capacity†:
 High flow 2" 1200 scfm (566.3 dm³/s, ANR)

Bowl capacity:
 Zinc with gauge (W) 16 oz.
 Aluminum (E) 32 oz.

Weight:
 16 oz. 9.8 lb (4.45 kg)
 32 oz. 10.3 lb (4.67 kg)

† scfm = Standard cubic feet per minute at 90 psig inlet and 5 psig pressure drop.
 () Bowl type, [] drain type.

Ordering information:

F602 - 16 W J [] /**

Port Threads		Engineering Level
NPT -		/** Will be entered at factory
G BSPP G		
Port Size		Drains and Options
2 inch 16		Blank Manual twist drain
		Q External heavy duty auto drain
		R Internal auto drain
		U Semi-auto drain
Bowl		Element
32 oz. Large capacity metal without sight gauge E		J 40 Micron
16 oz. Metal with sight gauge W		

Most popular.



For inventory, lead times, and kit lookup, visit www.pdnplu.com

Hi-Flow Particulate Filters

Material Specifications

Body	Aluminum
Bowl (E) 32 oz. without sight gauge	Aluminum
Bowl(W) 16 oz. with sight gauge	Zinc
Manual twist drain & overnight	Brass
Drain housing "R"	Acetal
Drain housing "Q"	Bronze
Element	Polypropylene
Seals	Buna N
Sight Gauge	Nylon

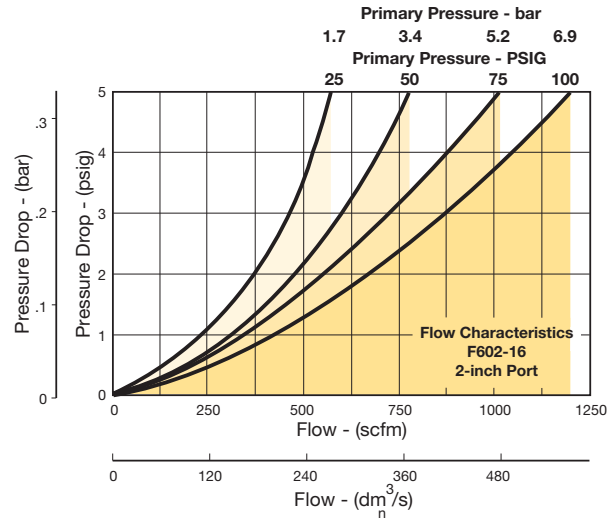
Repair and Service Kits

Aluminum bowl (E) 32 oz.	BK603B
Zinc bowl with sight gauge (W) 16 oz.	BK605WB
External auto drain (E) 32 oz.	SA603D
External auto drain (W) 16 oz.	SA602D
Internal auto drain (All)	SA602MD
Manual drain (All)	SA600Y7-1
Semi-auto "overnight" drain <i>(drains automatically under zero pressure)</i>	SA602A7
40 micron element (All)	EK602G
Deflector, baffle assembly, & retaining rod (All)	RK602C
External auto drain (All)	RK602D
Internal auto drain (All)	RK602MD
Metal bowl with sight gauge (W) 16 oz.	RKB605WB

Air Preparation Products General Industrial

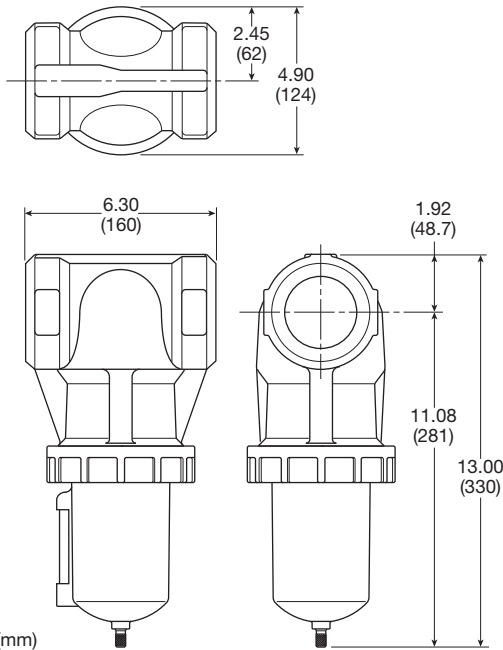
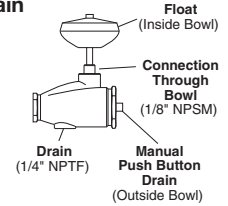
Flow Charts

F602 2" Particulate Filter

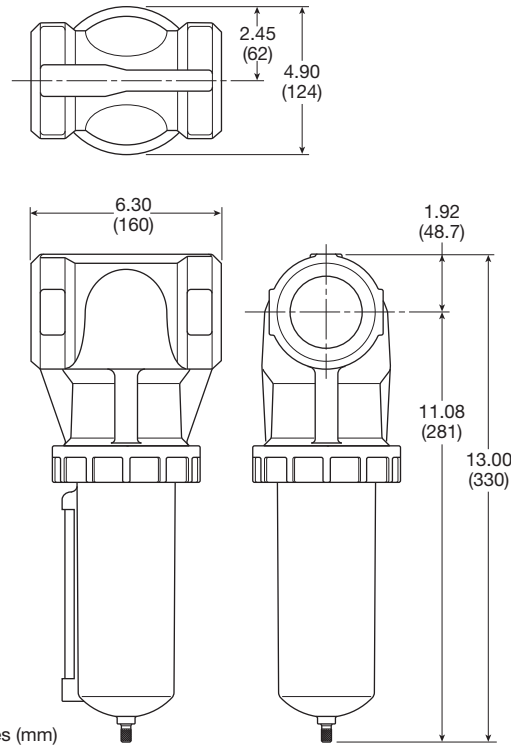


"Q" Option External Heavy Duty Auto Drain SA602D / SA603D

For heavy duty applications where the filter is being used to remove large volumes of liquid and/or particulate matter from the airstream, the external automatic drain ("Q" option) should be used.



F602-16W (Hi-Flow)



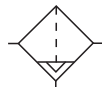
F602-16E (Hi-Flow)



For inventory, lead time, and kit lookup, visit www.pdnplu.com

35F / 43F Particulate Filters – Hi-Flow

- Heavy-duty cast aluminum housings to withstand operating pressures up to 250 psig*
- Differential pressure indicator to eliminate the guesswork of element replacement
- Differential pressure gauge available, order separately, kit DP3-01-000
- Unique drain mounting plate design offers a trouble-free method for interchanging and installing external drains
- 1-1/2" & 2" (35F), 3" (43F) ports, NPT & BSPP



Auto Drain

Port size	Description	Part number
1-1/2"	Metal bowl / auto drain	35F77BAP
2"	Metal bowl / auto drain	35F87BAP
3"	Metal bowl / auto drain	43FN7BAP

Operating information

Supply pressure (max):		
With pressure gauge		
without DPI*	250 psig (17.2 bar)	
with DPI	150 psig (10.3 bar)	
Operating temperature:	32°F to 150°F (0°C to 65.6°C)	
Flow capacity†:		
High flow	1-1/2"	1280 scfm (604.1 dm³/s, ANR)
	2"	1400 scfm (660.7 dm³/s, ANR)
	3"	2900 scfm (1368.6 dm³/s, ANR)
Bowl capacity:	35F	13.9 oz.
	43F	17.2 oz.
Standard Filtration:	5 micron	
Weight:	35F	19.3 lb (8.7 kg)
	43F	32.8 lb (14.9 kg)

† scfm = Standard cubic feet per minute at 90 psig inlet and 5 psig pressure drop.
* Without differential pressure indicator, max supply pressure is 250 psig (17.2 bar).

Ordering information:

35F	7	7	B	A	P	1	
Port Size					Port Threads		
1-1/2 inch (35F)	7					Blank	
2 inch (35F)	8					1	
3 inch (43F)	N					BSPP	
Bowl					Options		
Metal without sight gauge, auto float drain	7					N	
						P*	
						G**	
						* Maximum pressure rating 150 psig (10.3 bar).	
						** Gauge ships loose	
						Element	
						A	
						Current	
						Element	
						5 Micron	
						B	

Most popular.



For inventory, lead times, and kit lookup, visit www.pdnplu.com

General Industrial Products
H
Filters
Coalescers
Regulators
Lubricators
Combinations

Hi-Flow Particulate Filters

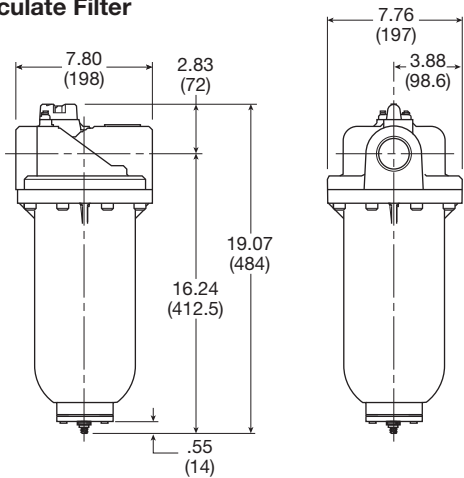
Material Specifications

Baffle	Plated steel
Body	Aluminum
Bowls	Aluminum
Deflector	Plated steel
Element retainer	Plated steel
Filter element	Polyethylene
Seals	Fluorocarbon
Stud	Plated steel

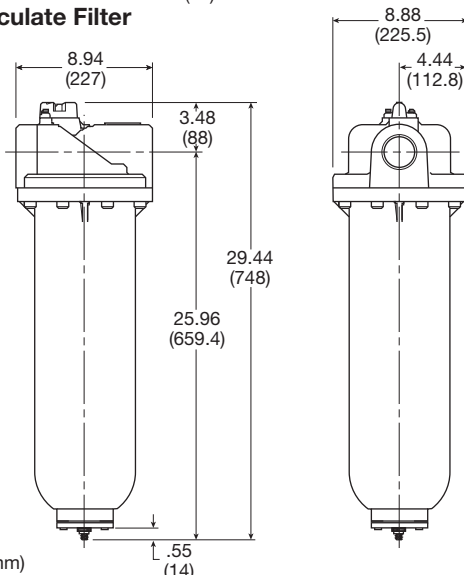
Repair and Service Kits

Differential pressure indicator cap For pressures over 150 psig	GRP-95-022
Differential pressure gauge	DP3-01-000
Differential pressure indicator	DP2-02-001
Auto drain, 1/8 NPT	GRP-95-981
Drain plate kit, 1/2 NPT tapped drain port	GRP-95-393
Element, 5 micron (35F)	FRP-95-505
Element, 5 micron (43F)	FRP-95-508
Manual drain kit with 1/2" drain plate	GRP-95-392

35F Particulate Filter



43F Particulate Filter

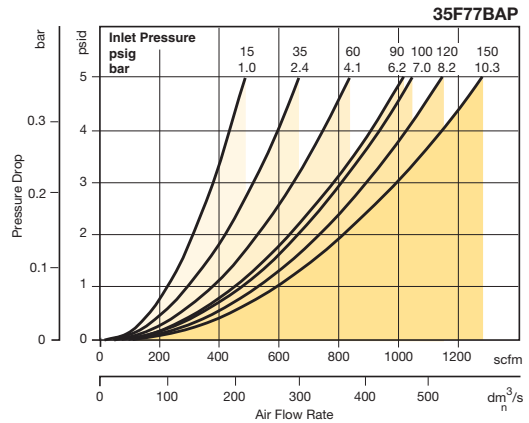


Inches (mm)

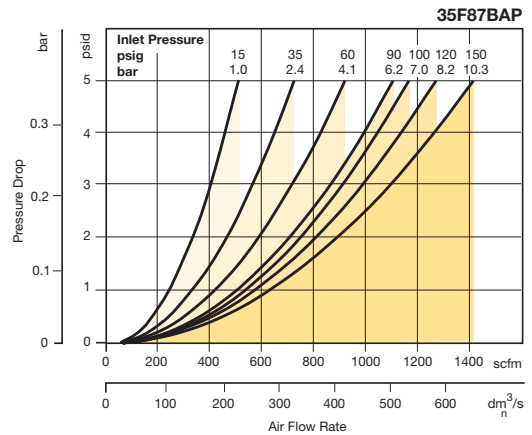
Air Preparation Products General Industrial

Flow Charts

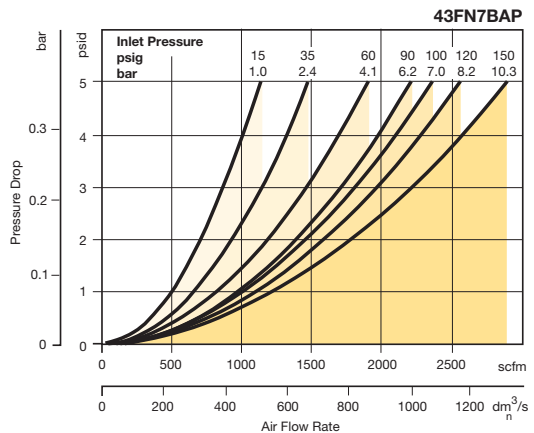
35F, 1-1/2" Particulate Filter



35F, 2" Particulate Filter



43F, 3" Particulate Filter

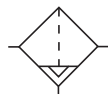


For inventory, lead time, and kit lookup, visit www.pdnplu.com

35F / 43F Coalescing Filters – Hi-Flow

- Heavy-duty cast aluminum housings to withstand operating pressures up to 250 psig*
- Differential pressure indicator to eliminate the guesswork of element replacement
- Differential pressure gauge available, order separately, kit DP3-01-000
- Unique drain mounting plate design offers a trouble-free method for interchanging and installing external drains
- High-flow filter elements: coalescing, 1 micron and 0.01 micron
- 1-1/2", 2", 3" ports (NPT, BSPP, BSPT)

* Without Differential Pressure Indicator – Max. supply pressure is 250 psig (20.1 bar).



Auto Drain

Port size	Description	Part number
1-1/2"	0.01 micron / auto float	35F77EAP
1-1/2"	1.0 micron / auto float	35F77HAP
2"	0.01 micron / auto float	35F87EAP
2"	1.0 micron / auto float	35F87HAP
3"	0.01 micron / auto float	43FN7EAP
3"	1.0 micron / auto float	43FN7HAP

Operating information

Supply pressure (max):		
With pressure gauge without DPI*	250 psig (17.2 bar)	
with DPI	150 psig (10.3 bar)	
Operating temperature:	32°F to 150°F (0°C to 65.6°C)	
Flow capacity†:		
High flow	(35F) 1-1/2"	710 scfm (335 dm ³ /s, ANR)
	(35F) 2"	710 scfm (335 dm ³ /s, ANR)
	(43F) 3"	1770 scfm (835 dm ³ /s, ANR)
Bowl capacity:	35F	13.9 oz.
	43F	17.2 oz.
Standard Filtration:	0.01 & 1 micron	
Weight:	35F	19.3 lb (8.7 kg)
	43F	32.8 lb (14.9 kg)

† scfm = Standard cubic feet per minute at 90 psig inlet and 5 psig pressure drop.
* Filtration temperature of 70°F (21°C) @ 100 psig (6.9 bar) with typical compressor lubricating oil and protected by 0.01 micron filter.

Ordering information:

35F	7	7	H	A	P	 																											
<table border="1"> <thead> <tr><th colspan="2">Port Size</th></tr> </thead> <tbody> <tr><td>1-1/2 inch (35F)</td><td>7</td></tr> <tr><td>2 inch (35F)</td><td>8</td></tr> <tr><td>3 inch (43F)</td><td>N</td></tr> </tbody> </table>		Port Size		1-1/2 inch (35F)	7	2 inch (35F)	8	3 inch (43F)	N	<table border="1"> <thead> <tr><th colspan="2">Bowl</th></tr> </thead> <tbody> <tr><td>Metal without sight gauge, auto float drain</td><td>7</td></tr> </tbody> </table>		Bowl		Metal without sight gauge, auto float drain	7	<table border="1"> <thead> <tr><th colspan="2">Element</th></tr> </thead> <tbody> <tr><td>0.01 Micron</td><td>E</td></tr> <tr><td>1 Micron</td><td>H</td></tr> </tbody> </table>		Element		0.01 Micron	E	1 Micron	H	<table border="1"> <thead> <tr><th colspan="2">Port Threads</th></tr> </thead> <tbody> <tr><td>Blank</td><td>NPT</td></tr> <tr><td>1</td><td>BSPP</td></tr> <tr><td>2</td><td>BSPT</td></tr> </tbody> </table>		Port Threads		Blank	NPT	1	BSPP	2	BSPT
Port Size																																	
1-1/2 inch (35F)	7																																
2 inch (35F)	8																																
3 inch (43F)	N																																
Bowl																																	
Metal without sight gauge, auto float drain	7																																
Element																																	
0.01 Micron	E																																
1 Micron	H																																
Port Threads																																	
Blank	NPT																																
1	BSPP																																
2	BSPT																																
				<table border="1"> <thead> <tr><th colspan="2">Options</th></tr> </thead> <tbody> <tr><td>N</td><td>Without differential pressure indicator</td></tr> <tr><td>P*</td><td>With differential pressure indicator</td></tr> </tbody> </table>			Options		N	Without differential pressure indicator	P*	With differential pressure indicator																					
Options																																	
N	Without differential pressure indicator																																
P*	With differential pressure indicator																																
				<table border="1"> <thead> <tr><th colspan="2">Engineering Level</th></tr> </thead> <tbody> <tr><td>A</td><td>Current</td></tr> </tbody> </table>			Engineering Level		A	Current																							
Engineering Level																																	
A	Current																																

* Maximum pressure rating 150 psig.

Most popular.



For inventory, lead times, and kit lookup, visit www.pdnplu.com

General Industrial Products
H
Filters
Coalescers
Regulators
Lubricators
Combinations

Hi-Flow Coalescing Filters

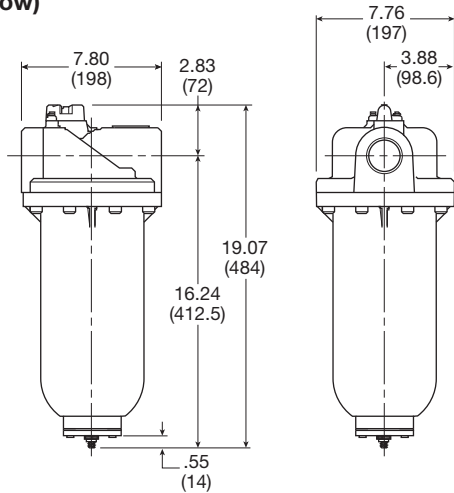
Material Specifications

Body	Aluminum
Bowls	Aluminum
Filter element	Borosilicate cloth
Seals	Fluorocarbon
Stud	Plated steel

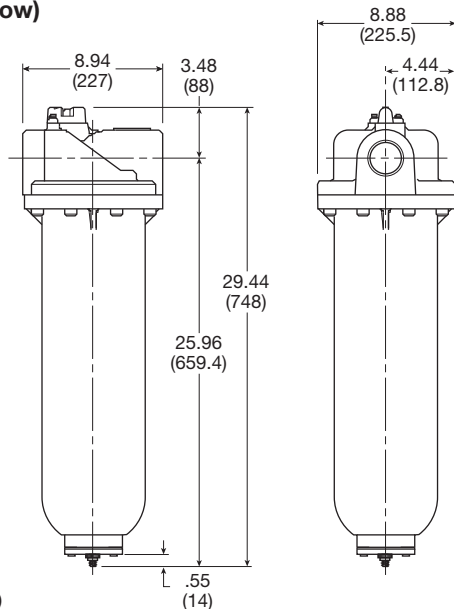
Repair and Service Kits

Differential pressure indicator cap – for pressures over 150 psig	GRP-95-022
Differential pressure indicator	DP2-02-001
Drain, automatic, internal, fluorocarbon, 1/8 NPT	GRP-95-981
Drain plate kit, 1/2 NPT tapped drain port	GRP-95-393
35F: 0.01 Micron element	MTP-95-502
35F: 1.0 Micron element	MSP-95-502
43F: 0.01 Micron element	MTP-95-562
43F: 1.0 Micron element	MSP-95-876
Manual drain kit with 1/2" drain plate	GRP-95-392

35F (Hi-Flow)



43F (Hi-Flow)

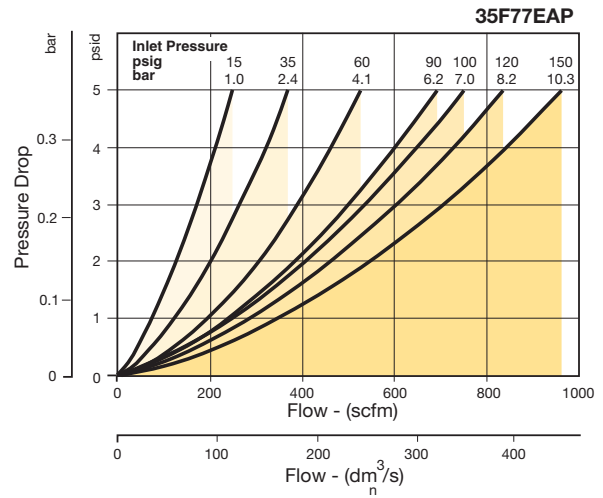


Inches (mm)

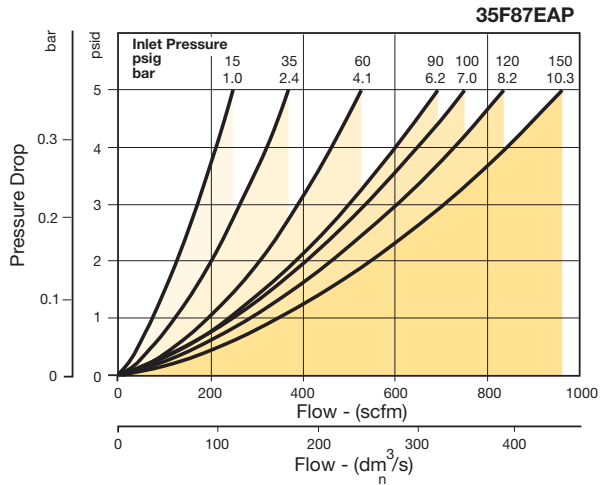
Air Preparation Products General Industrial

Flow Charts

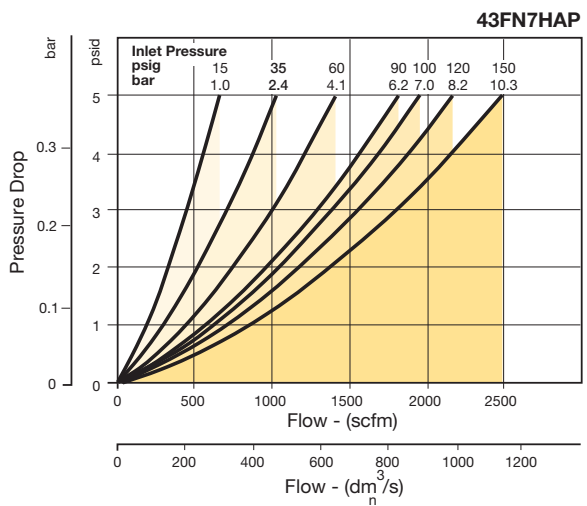
35F 1-1/2" Coalescing Filters



35F 2" Coalescing Filters



43F 3" Coalescing Filters



For inventory, lead time, and kit lookup, visit www.pdnplu.com

H11

Parker Hannifin Corporation
Pneumatic Division
Richland, Michigan
www.parker.com/pneumatics

General Industrial
Products

H

Filters

Coalescers

Regulators

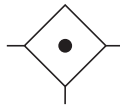
Lubricators

Combinations

F701 Coalescing Filters – Hi-Flow

- Removes liquid aerosols and sub-micron particles.
- Protects pneumatic systems from contamination that standard particulate filters will not catch.
- Two different grade elements available.
- Differential pressure indicator (pop-up) standard.
- Differential pressure gauge optional.
- High flow design
- 3/4", 1" ports (NPT, BSPP)

Note: All coalescing filters should be protected by a particulate filter (i.e., F602, or other) installed upstream.



Port size	Description	Part number
3/4"	32 oz. metal bowl, grade 6 element	F701-06E3P
3/4"	100 oz. metal bowl, grade 6 element	F701-06L3P
3/4"	32 oz. metal bowl, grade 10 element	F701-06E7P
3/4"	100 oz. metal bowl, grade 10 element	F701-06L7P
1"	32 oz. metal bowl, grade 6 element	F701-08E3P
1"	100 oz. metal bowl, grade 6 element	F701-08L3P
1"	32 oz. metal bowl, grade 10 element	F701-08E7P
1"	100 oz. metal bowl, grade 10 element	F701-08L7P

Operating information

Supply pressure (max):		
Manual drains		0 to 300 psig (0 to 20.7 bar)
Auto drains		
"R" low pressure internal		175 psig (12.0 bar)
"T" High pressure internal		250 psig (17.2 bar)
"Q" external		250 psig (17.2 bar)
Operating pressure drop:		
Normal	Dry	2 psig (0.14 bar)
	Wet	5 psig (0.34 bar)
Max recommended (Element should be replaced)		10 psig (0.7 bar)
Minimum recommended flow:		20% nominal rating of element
Operating temperature (max):		32°F to 150°F (0°C to 65°C)
"R", "T", "Q" drains		125°F (52°C)
Flow capacity†:		
Grade 6	32 oz*	95 scfm (44.8 dm ³ /s, ANR)
(0.01 micron)	100 oz*	170 scfm (80 dm ³ /s, ANR)
Grade 10	32 oz*	158 scfm (75 dm ³ /s, ANR)
(1.0 micron)	100 oz*	285 scfm (135 dm ³ /s, ANR)
Weight:		
	32 oz	5.0 lb (2.3 kg)
	100 oz	8.0 lb (3.6 kg)

† scfm = Standard cubic feet per minute at 90 psig inlet and 5 psig pressure drop.

* Dry media flow, for wet media flow information see table on next page.

Ordering information:

F701	-	06	W	3	/**
Port Threads					Engineering Level
NPT	-				** Will be entered at factory
G BSPP	G				
	Port Size				Drains and Options
	3/4 inch	06			Blank Manual twist drain
	1 inch	08			T High pressure internal auto drain
					Q* External auto drain
					R Low pressure internal auto drain
					* Q option not available with bowl option L.
Bowl				Element	
32 oz. Metal without sight gauge				3	Grade 6
100 oz. Metal without sight gauge				7	Grade 10

Most popular.



For inventory, lead times, and kit lookup, visit www.pdnplu.com

Hi-Flow Coalescing Filters

Material Specifications

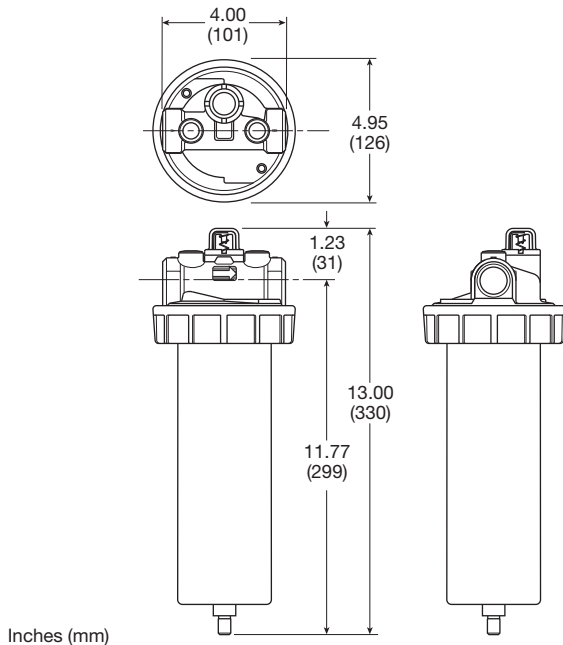
Body & flange ring	Zinc
Metal bowl (E) (L)	Aluminum
Auto float drain, housing "R", "T" (internal)	Acetal
Auto float drain, housing "Q" (external)	Bronze
Auto float drain, manual twist drain	Brass
Seals & float	Buna N
Springs	Stainless steel
Element (media)	Borosilicate fibers & felt
Element end caps	Urethane
Seals	Buna N

Repair and Service Kits

Bracket - 3/4 (pair of pipe mounted brackets)	SA200AW57
Bracket - 1 (pair of pipe mounted brackets)	SA200CW57
32 oz bowl kit - 3/4, 1 inch (E)	BK603B
32 oz bowl kit - 3/4, 1 inch (L) 100 oz.	BK603C
Differential pressure pop up Indicator repair kit (only works with originally equipped units)	RK701P
Differential pressure gauge (only works on units without pop-up indicator)	DP276-P
Internal automatic drain kit, high pressure (T)	SA702MD
Manual twist drain kit	SA600Y7-1
Grade 6 element - 3/4, 1 Inch (E) 32 oz.	F701-C3-0773
Grade 6 element - 3/4, 1 Inch (L) 100 oz.	F701-C3-0774
Grade 10 element - 3/4, 1 Inch (E) 32 oz.	F701-C7-0773
Grade 10 element - 3/4, 1 Inch (L) 100 oz.	F701-C7-0774

() = Bowl Type

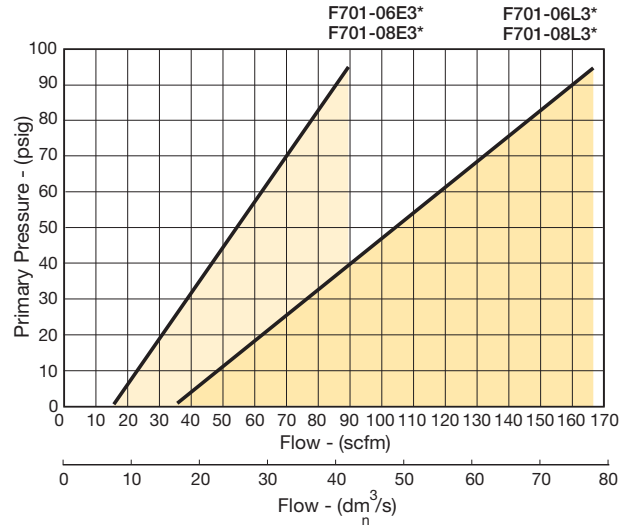
F701 - 32 oz. bowl (Hi-Flow)



Air Preparation Products General Industrial

Flow Charts

F701 3/4" & 1" Coalescing Filter



Media Specifications

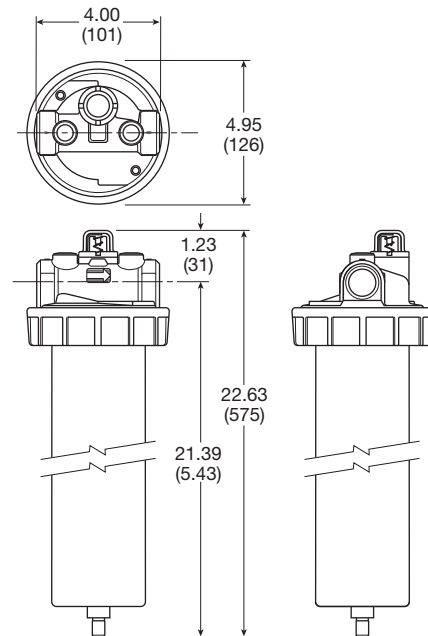
Grade	D.O.P. Coalescing efficiency 0.3 to 0.6 micron particles	Maximum oil carryover ¹ PPM w/w	Pressure drop (PSID) ² @ rated flow	
			Media dry	Media Wet with 10-20 wt. oil
6	99.97%	0.008	1.0	2-3
10	95%	0.85	0.5	0.5

¹ Tested per BCAS 860900 at 40 ppm inlet.

² Add dry + wet for total pressure drop.

D.O.P. = Dioctylphthalate

F701 - 100 oz. bowl (Hi-Flow)



For inventory, lead time, and kit lookup, visit www.pdnplu.com

P3TF Series Flanged Coalescing Filters

- No tie rod element design
- Pleated element technology
- New high efficiency drainage layer
- Designed in accordance with ASME and CRN
- Connection sizes: 4" & 6" flange
- Acrylic polyurethane coating for corrosion protection



Port size	Element type	Number of elements	Part number
4"	0.01 micron	4	P3TFAFFD2AN
4"	1.0 micron	4	P3TFAFFQ2AN
6"	0.01 micron	6	P3TFAFGD3AN
6"	1.0 micron	6	P3TFAFGQ3AN

Operating information

Supply pressure (max):	232 psig (16 bar)
Operating temperature:	35°F to 212°F (1.5°C to 100°C)
Flow capacity†:	4" 2119 scfm (1000 dm ³ /s, ANR) 6" 4132 scfm (1950 dm ³ /s, ANR)
Standard Filtration:	0.01 & 1 micron

† scfm = Standard cubic feet per minute at 90 psig inlet and 5 psig pressure drop.

Material Specifications

Body	Steel
Baffle	Plated steel
Deflector	Plated steel
Element	Borosilicate cloth
Seals	Fluorocarbon
Stud	Plated steel

Repair and Service Kits

Dp gauge replacement kit	DPG-Kit
Drain kit - 1/2" NPT	HDF-120-NPT-A
0.01 Micron element (4 or 6 required)	PSY1035002
1.0 Micron element (4 or 6 required)	PSY1035001

Most popular.

General Industrial Products

H

Filters

Coalescers

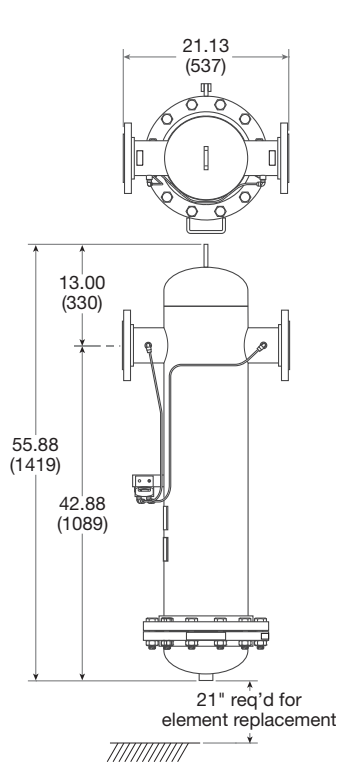
Regulators

Lubricators

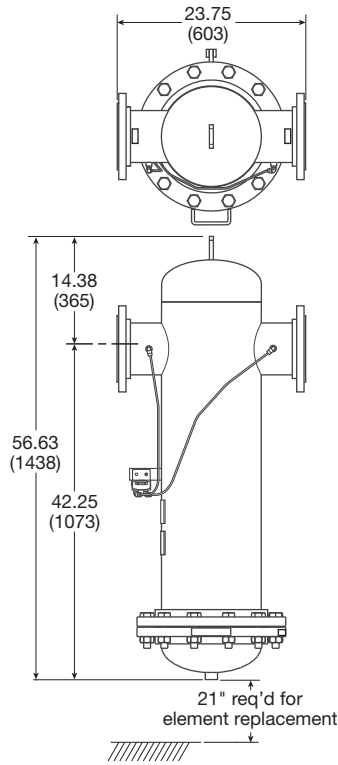
Combinations



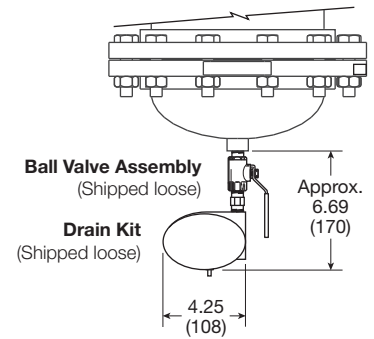
For inventory, lead times, and kit lookup, visit www.pdnplu.com



P3TFAFFD2AN & P3TFAFFQ2AN



P3TFAFGD3AN & P3TFAFGQ3AN



General Industrial
Products

H

Filters

Coalescers

Regulators

Lubricators

Combinations



For inventory, lead time, and kit lookup, visit www.pdnplu.com

H15

Parker Hannifin Corporation
Pneumatic Division
Richland, Michigan
www.parker.com/pneumatics