

- Compact body ported units.
- Port size G<sup>1</sup>/<sub>4</sub>
- Unique deflector plate ensuring maximum water and particulate removal.
- Solid control piston with lip seal for extended life.
- Proportional oil delivery over a wide range of air flows.
- Tamperproof options available.



### Operating information

Working pressure:	Max 10 bar
Working temperature:	-10 °C to +52 °C

### Flow characteristics

<b>Flow dm<sup>3</sup>/s</b>	<b>1/4</b>
Filter	30.5
Coalescing Filter	5.9
Adsorber Filter	5.9
Regulator	12.9
Regulator - Brass	9.8
Filter Regulator	9.2
Lubricator	23.3

### Filters

Port size	Description	Order Code
G1/4	Poly bowl - Manual drain - 5μ	<b>P3LFA12EPPN</b>
G1/4	Poly bowl - Pulse drain - 5μ	<b>P3LFA12EPSN</b>
G1/4	Poly bowl - Manual drain - 40μ	<b>P3LFA12GPPN</b>
G1/4	Poly bowl - Pulse drain - 40μ	<b>P3LFA12GPSN</b>
	Individual mounting bracket - P3LFA / P3LLA	<b>P3LKA00MW</b>

### Regulators - 2 & 4 bar - relieving type & non relieving type

Port size	Description	Order Code
G1/4	8 bar relieving	<b>P3LRA12BNNP</b>
G1/4	8 bar relieving + gauge	<b>P3LRA12BNGP</b>
G1/4	8 bar relieving + Tamperproof	<b>P3LRA12BANP</b>
G1/4	8 bar relieving + gauge - Tamperproof	<b>P3LRA12BAGP</b>

### Regulators (Brass) - 2, 4 & 16 bar-relieving type & non relieving type

Port size	Description	Order Code
G1/4	8 bar relieving	<b>P3LRX12BNNP</b>
G1/4	8 bar relieving + gauge	<b>P3LRX12BNGP</b>
G1/4	16 bar relieving	<b>P3LRX12BNHP</b>
G1/4	8 bar relieving + Tamperproof	<b>P3LRX12BANP</b>
G1/4	8 bar relieving + gauge - Tamperproof	<b>P3LRX12BAGP</b>
G1/4	16 bar relieving + Tamperproof	<b>P3LRX12BAHP</b>

### Pressure Gauges

#### 40mm (1<sup>1</sup>/<sub>2</sub>" ) Round 1/8" center back mount

	Order Code
0-30 PSIG / 0-2 bar (2)	<b>KZ8810-00</b>
0-58 PSIG / 0-4 bar (4)	<b>KZ8811-00</b>
0-160 PSIG / 0-10 bar (10)	<b>KZ8813-00</b>

### Coalescing Filters - 0.01μ element

Port size	Description	Order Code
G1/4	Poly bowl - Manual drain - 0.01μ	<b>P3LFA12CPPN</b>
	Individual mounting bracket - P3LFA / P3LLA	<b>P3LKA00MW</b>

### Adsorber Filters

Port size	Description	Order Code
G1/4	Poly bowl - Adsorber	<b>P3LFA12APPN</b>

### Filter/Regulators - 2 & 4 bar pressure, 40μ available

Port size	Description	Order Code
G1/4	8 bar relieving - Poly bowl Manual drain - 5μ	<b>P3LEA12EPPBNNP</b>
G1/4	8 bar relieving - Poly bowl Semi auto-drain - 5μ	<b>P3LEA12EPSBNNP</b>
G1/4	8 bar relieving - Poly bowl Manual drain + Gauge - 5μ	<b>P3LEA12EPPBNGP</b>
G1/4	8 bar relieving - Poly bowl Semi auto-drain + Gauge - 5μ	<b>P3LEA12EPSBNGP</b>

### Lubricators

Port size	Description	Order Code
G1/4	Poly bowl - No drain	<b>P3LLA12LPNN</b>
	Lubricator OIL VG32-1 Litre	<b>P3YKA00PPBB</b>

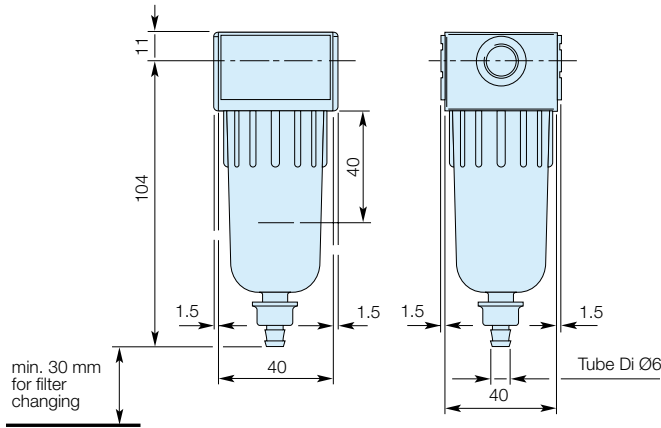
### Filter/Regulator + Lubricator Combination

Available in boxed quantities of 25

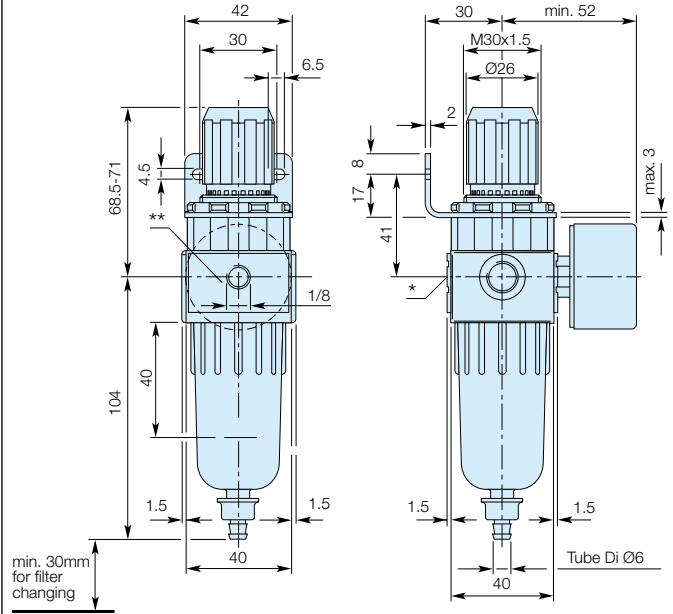
Port size	Description	Order Code
G1/4	Manual push drain	<b>P3LCA12PEPNGLNWQ25</b>
G1/4	Semi auto drain	<b>P3LCA12PESNGLNWQ25</b>

**Dimensions (mm)**

**Filters**

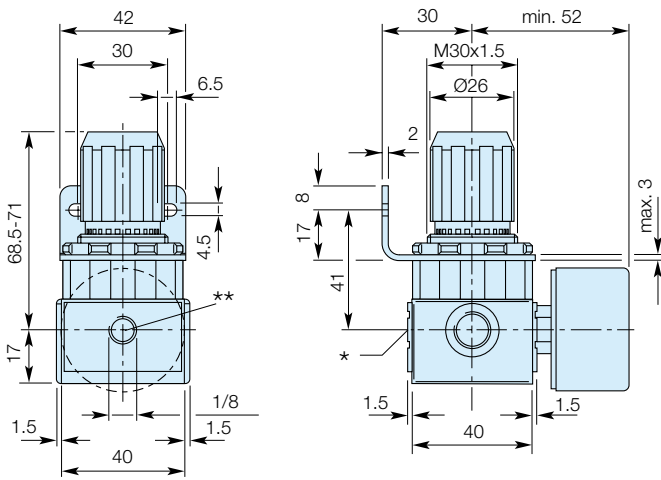


**Filter/Regulators**



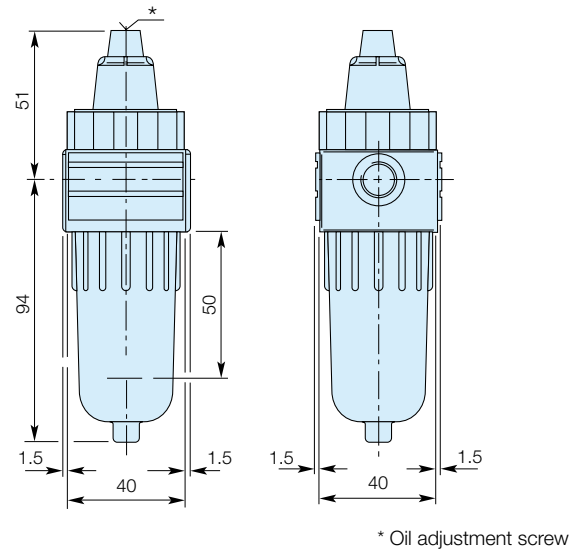
\* On delivery the screw plug is not assembled  
 \*\* Two opposite gauge ports 1/8"

**Regulators**



\* On delivery the screw plug is not assembled  
 \*\* Two opposite gauge ports 1/8"

**Lubricators**



**Service kits**

Description	Order code
Plastic bowl / manual push drain	<b>P3LKA00BPP</b>
Plastic bowl / semi-auto drain	<b>P3LKA00BPS</b>
Plastic bowl - no drain	<b>P3LKA00BPN</b>
5µ particle filter element	<b>P3LKA00ESE</b>
40µ Element Kit	<b>P3LKA00ESG</b>
0.01µ coalescing filter element	<b>P3LKA00ESC</b>
Activated carbon adsorber filter element	<b>P3LKA00ESA</b>

**Accessories**

Description	Order code
Connector kit (E/R + L/F)	<b>P3LKA00CB1</b>
Connector kit (E/R + M + L)	<b>P3LKA00CB2</b>
Connector kit (E/R + F + F)	<b>P3LKA00CB3</b>
Connector kit (F + L/F)	<b>P3LKA00CB4</b>
Manifold block	<b>P3LMA12020C</b>
Mounting bracket (F/L)	<b>P3LKA00MW</b>
Panel mount nut - Aluminium	<b>P3LKA00MM</b>
Panel mount nut - Plastic	<b>P3LKA00MP</b>
Angle Bracket (uses panel mount threads)	<b>P3LKA00MR</b>