

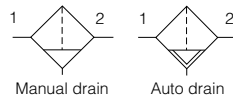
The range of Stainless Steel FRLs are ideal for use in the food industry, the petrochemical or process industries or any application in a particularly harsh or aggressive environment.

- Suitable for Marine & Offshore applications
- Chemical / Petroleum and process industries
- Coalescing filters are designed for removing oil and water aerosols down to 0.01µ
- Suitable for food industry applications



Operating information	
Max operating pressure	20 bar 12 bar when fitted with auto-drain
Max operating temperature	Regulator 65°C Filter + Regulator 80°C, 50°C when fitted with auto-drain
For more information see www.parker.com/euro_pneumatic	

Particulate Filter



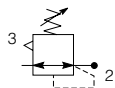
Port size	Flow l/min @ 7 bar	Filter element	Order code with manual drain	Order code with auto drain
G1/4	660	20µ	PF504G02DHSS	
G1/2	1800	40µ	PF10G04DJSS	PF10G04DJRSS

* For 5µ filter element substitute **H** or **J** with **G**

Coalescing Filter

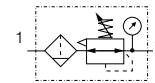
Port size	Flow l/min @ 7 bar	Filter element	Order code with manual drain	Order code with auto drain
G1/4	240	0.3µ	PF501G02DHSS	
G1/2	480	0.01µ	PF11G04DJSS	PF11G04DJRSS

Regulator



Port size	Flow l/min @ 7 bar	Order code fitted with 0-8.5 bar spring
G1/4 Plastic bonnet/knob Full S/S version	450	PR364G02CSS PR354G02CSS
G1/2 Plastic bonnet/knob Full S/S version	2820	PR10G04CSS PR11G04CSS

Filter/Regulator



Port size	Flow l/min @ 7 bar	Order code fitted with 0-8.5 bar spring
G1/4 Plastic bonnet/knob Full S/S version	450	PB548G02DHCSS PB558G02DHCSS
G1/2 Plastic bonnet/knob Full S/S version	1800	PB11G04DJCSS PB12G04DJCSS

Lubricator



Port size	Flow l/min @ 7 bar	Order code
G1/2	3000	PL10G04DSS

Panel mounting nut for G1/4: **PR05X51SS**
G1/2: **PR10X51SS**

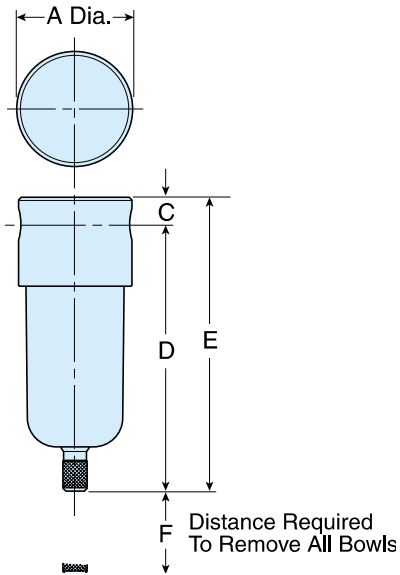
Connectors

Port size	Order code
G1/4	AC-2SS
G1/2	AC-4SS

Stainless steel pressure gauge	M1/4G40S-10 (0 to 10 bar)
---------------------------------------	----------------------------------

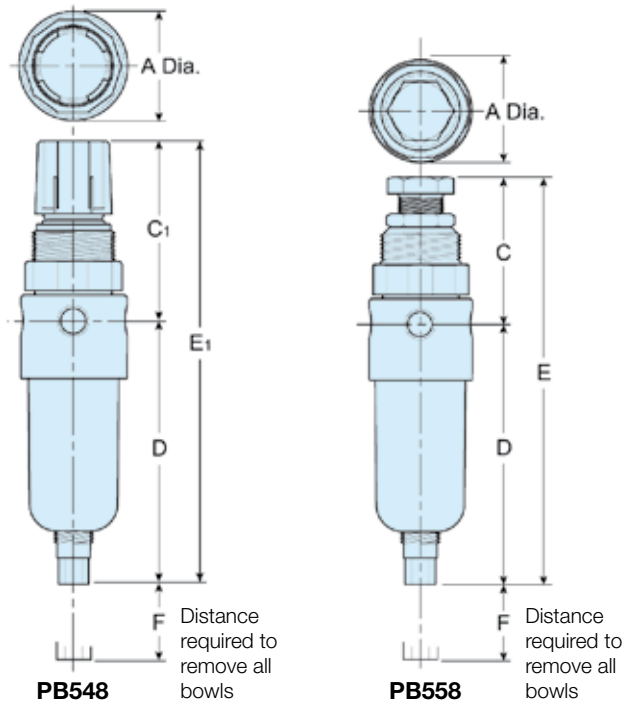
Dimensions (mm) - 1/4"

Filters
Coalescing Filters



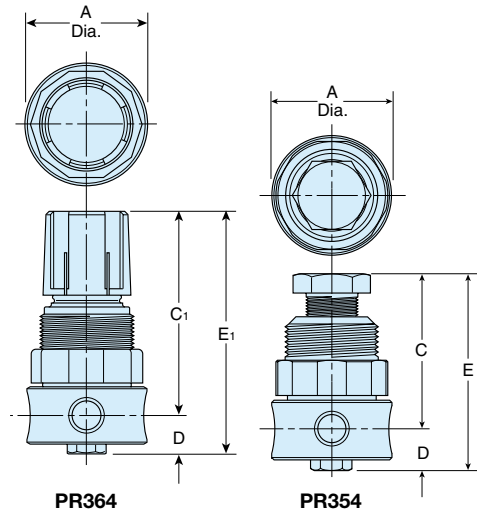
A	C	D	E	F
40mm	8mm	94mm	102mm	40mm

Filter/Regulators



A	C	C ₁	D	E	E ₁	F
40mm	55mm	67mm	92mm	78mm	147mm	40mm

Regulators



A	C	C ₁	D	E	E ₁
40mm	51mm	65mm	13mm	64mm	78mm

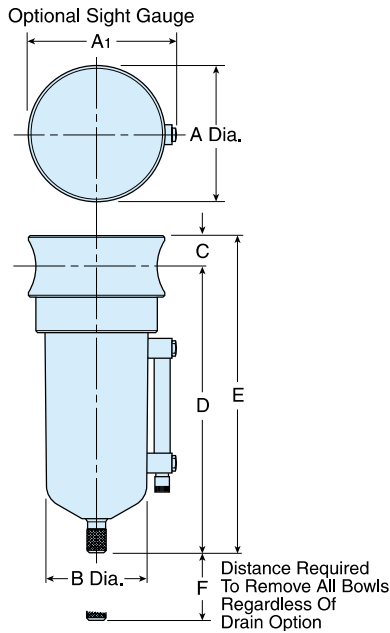
Service kits

Port size	Description	Order Code
Filter		
1/4	20 micron particulate element	EK504Y
1/4	5 micron particulate element	EK504VY
1/2	40 micron particulate element	EK55J
1/2	5 micron particulate element	EK55G
Coalescing Filter		
1/4	0.3 micron coalescing element	EKF501H
1/2	0.01 micron coalescing element	EKF71
Regulator		
1/4	Relieving type	RKR364YSS
1/4	Non-relieving type	RKR36KYSS
1/2	Relieving type	RKR10YSS
1/2	Non-relieving type	RKR10KYSS
Filter/Regulator		
1/4	20 micron particulate element	EK504Y
1/4	5 micron particulate element	EK504VY
1/2	40 micron particulate element	EKF10Y
1/2	5 micron particulate element	EKF10VY
Lubricator		
	Sight dome kit	RKL10SS

Dimensions (mm) - 1/2"

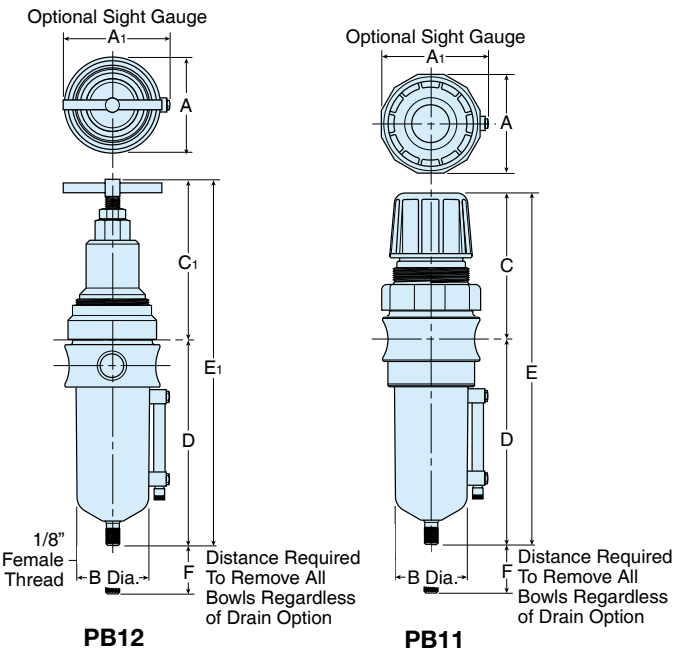
Filters

Coalescing Filters



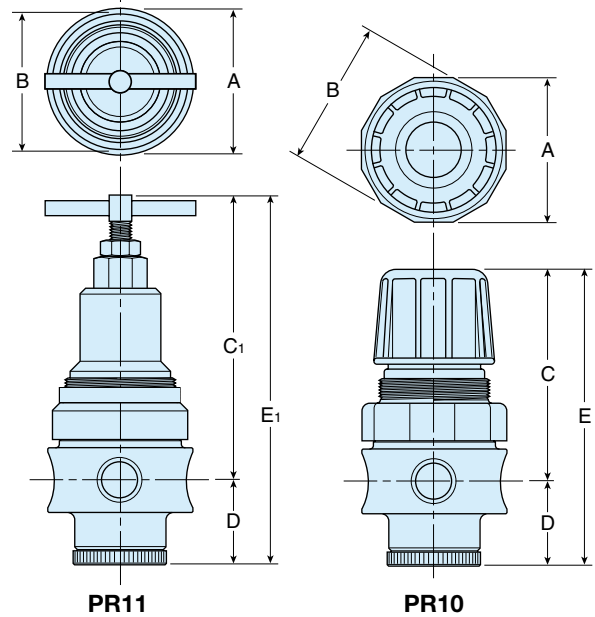
A	A ₁	B	C	D	E	F
60mm	64mm	44mm	14mm	127mm	141mm	54mm

Filter/Regulators



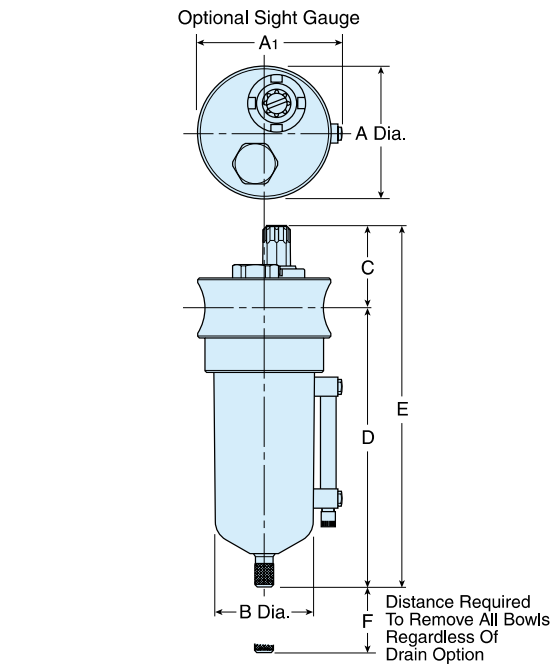
A	A ₁	B	C	C ₁	D	E	E ₁	F
60mm	64mm	44mm	91mm	119mm	127mm	218mm	246mm	54mm

Regulators



A	B	C	C ₁	D	E	E ₁
60mm	62mm	91mm	119mm	35mm	126mm	154mm

Lubricators



A	A ₁	B	C	D	E	F
60mm	64mm	44mm	46mm	127mm	173mm	89mm